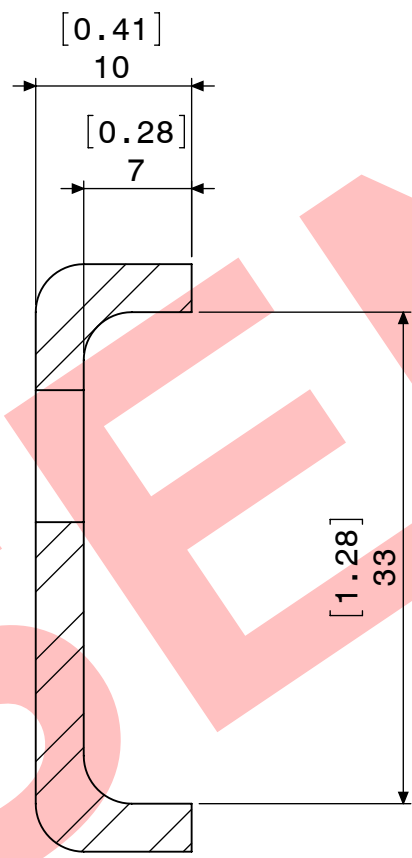
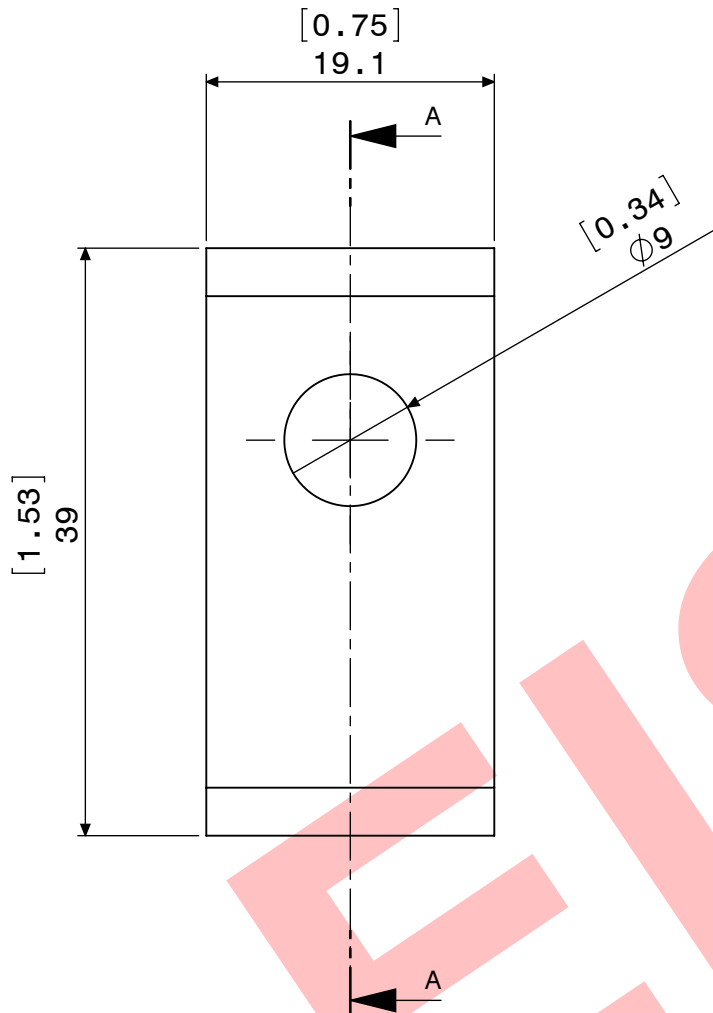
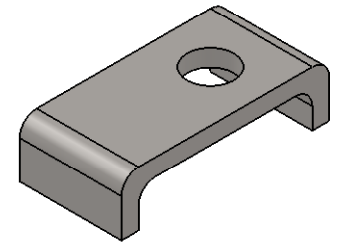


8 7 6 5 4 3 2 1



SECTION A-A



NOTES:



LANSING, MICHIGAN 48911, USA
<http://www.eisennet.com>

Information in this drawing is provided for reference only

DWG NO. **805112**

STEEL U-BRACKET
 1.5x.75x.4 .125t INCH
 HOLE FOR 5/16 M8

8 7 6 5 4 3 2 1